



WESTERN
OREGON
CONTROL
LINE
FLYERS

THE WOLF CALL

April - June 2007

ACADEMY OF MODEL AERONAUTICS
CHARTER CLUB #0464

Ye Old Editor: Mike Hazel

Upcoming Events:

WOLF Summer Solstice Fun Fly
June 21st, 6 PM

WOLF Lucky Hand Fun Fly
July 8th, 10 AM

The "WOLF CALL" is the newsletter for the Western Oregon Control Line Flyers. "WOLF" members fly at the Bill Riegel Model Airpark facility at the Salem Airport.

WOLF membership is not required to utilize the facility, but flyers should be A.M.A. members. If you are not a WOLF club member, please consider joining us to help support control line model aviation activity in our area!

WOLF 2007 CLUB OFFICERS:

President:	Bruce Hunt	503-361-7491
Vice-Prez:	Craig Bartlett	scraigbart@ yahoo.com
Sec-Treas:	Mike Hazel	503-859-2905
Safety Off:	John Thompson	541-689-5553
Editor:	Mike Hazel	503-859-2905

Miscellaneous Ramblings from Ye Old Editor

Wow! Lots of stuff happening since our last exciting issue of the WOLF CALL!

Below we get into that, just a reminder that our Summer Solstice Fun Fly is coming up on June 21st. Yes, this is on Thursday, and starts in the evening whenever you get there! This is to commemorate the longest day of the year, with a sunset taking place about 9:15 PM! There is no special agenda, no fees, no prizes. Just show up and fly for something different to do in the middle of the week!

Another event coming up before long is our annual Lucky Hand Fun Fly. This is always a great event, check out the flyer in this issue for more details. Please note that the date has been changed: same weekend but moved from Saturday to Sunday.

Earlier in the year we had the set of four Oregon winter fun flys, with WOLF hosting one in March. The weather with these was, uh, somewhat varied, but they all took place with varying amounts of activity and some good times had.

The contest season's opener was in the form of the Jim Walker Memorial, was held in Portland during April. This was a good meet which featured Stunt, Combat, Racing, Speed and Carrier! Plenty of WOLF presence there!

On the work front, John Thompson and Mike Hazel got our flying field into tip-top shape with a complete mowing and putting down some paint on the asphalt ordo. That's right, the striping has been re-done, and meets the current A.M.A. racing rules. Looks sharp!



Miscellaneous Ramblings from Ye Olde Editor

--- continued ---

Later on Bruce Hunt and Mike Hazel took turns getting the field mowed, including the grass circle on the South side of the road. It's looking good, get out there and use the field!

At the end of May, the 36th annual NW Control Line Regionals took place down in Eugene. The weather was pretty good this year, which gave a boost to the attendance and activity. Many WOLF members are involved in helping to put this thing on, and many others come and fly or just spectate. Here's a list of who I know was there: John Thompson, Dean Singleton, Chuck Schuette, Gerald Schamp, Rod Russell, Dave Royer, Jack Pitcher, Will Naemura, Don Myklebust, Don McClave, Dave LaFever, Bruce Hunt, Mike Hazel, Gary Harris, Ron Bennett, Craig Bartlett. Hey, that's practically the whole club! Good going guys! If I missed you on this list, sorry, just didn't see you. As always, you can get a full report with some photos of the people and action on the Flying Lines website..... flyinglines.org

Also remember to go to the Flying Lines website for the latest activity calendar updates and details. A basic contest calendar is included in this issue for our region. Get out and support some of these events!

Included in this issue is the current WOLF membership roster, with contact information. Please save this and contact another member when you need a flying partner! If any of the contact info is incorrect and needs updating, please let ye olde editor know.

Well, depending on how quick we get this rag out this time, the following news might be old... There is a Model Airplane Estate Sale taking place on June 9th (Saturday) down in Tangent. This is stuff from the late Gene Bartel. This guy had tons of stuff. For info contact Bob Stalick at 541-928-8101.

Speaking of sales, there is also a M.E.C.A. "Collecto" happening on June 23 in Toledo, Washington. Contact person is Jim Bassett at 360-864-2953. And speaking of M.E.C.A. (Model Engine Collectors Association), WOLF's own Rod Russell is the organization's Region 3 (Northwest) director. You can also contact him for collecto information.

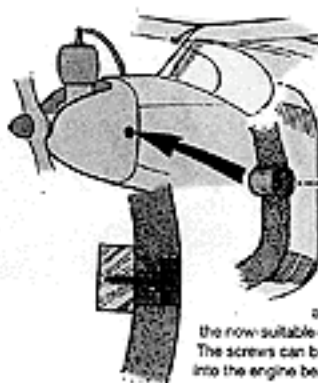
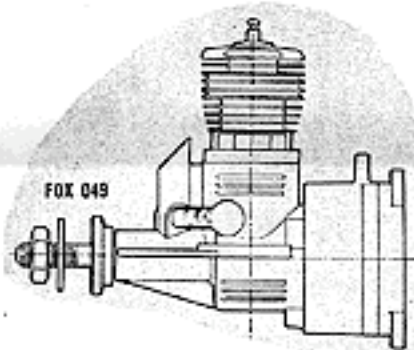
SALEM AIRPORT NEWS

As previously announced, commercial air travel is returning to the Salem airport. The service starts on June 7th.

If you have been by the airport in the last couple of weeks you will have noticed a lot of activity by and near the airport terminal building. The roadways have been repaved, and the grounds around the building have been spruced up. The main building has also been remodeled.

Again, we speculate that the service will have no impact on our operations. The flight schedule is very limited with mid-day arrival at 12:15, and departure at 1:05 PM. Hmmm, wonder who the first modeler will be to take advantage of flying into our site?????

All for now, Mike



EZ MOUNT COWL

To prevent cowl screws from crushing the balsa, drill a large hole through each side of the cowl. Drill holes through two dowels to make wooden bushings. If you are able to, use a lathe. Finally, glue in the now suitable-diameter hardwood bushings. The screws can be driven into wooden blocks or into the engine bearers.

Howard Schmitt, Green Bay, WI

NORTHWEST CONTROL LINE CALENDAR

JUNE 21

WOLF SUMMER SOLSTICE FUN FLY.

Site: Bill Riegel Model Airpark, Salem, Oregon. Start at 6 PM, fly until dark! No prizes, no agenda, just fly! Sponsor: Western Oregon Control Line Flyers.

JUNE 23 & 24

JIM PARSONS MEMORIAL STUNTATHON

Site: Pierce County Airport, Puyallup, Washington
Events For Stunt and Carrier. Sponsored by: Northwest Skyraiders. Contact: Howard Rush: hmrush@comcast.net

JULY 8

WOLF LUCKY HAND FUN FLY Site: Bill Riegel Model Airpark, Salem, Oregon. Sponsor: Western Oregon Control Line Flyers.

JULY 9 - 13

A.M.A. CL NATIONALS MUNCIE, INDIANA

JULY 21 & 22

RON SALO MEMORIAL SPEED CONTEST

Site: Rice Mill Road Model Park, Richmond, B.C.
Events: Speed down record ratio. Sponsor: Vancouver Gas Model Club. Contact: Bruce Duncan: a.b.duncan@shaw.ca, 604-513-9450

JULY 28 & 29

WESTERN CANADA STUNT CHAMPIONSHIPS

Site: Rice Mill Road Model Park, Richmond, BC
Sponsor: Vancouver Gas Model Club.

AUGUST 4 & 5

TOP DOG COMBAT

Site: Harvey Field, Snohomish, Washington
Contact: Jeff Rein: jeffrey.rein@ps.boeing.com

AUGUST 25 & 26

TEAM COUNTRY CLASSIC

Site: DeAlton-Bibbee Field at the Evergreen Aviation Museum, McMinnville, Oregon. Stunt events, details tentative. Sponsor: The Evergreen Aeromodelers. Contact: Jerry Eichten

SEPTEMBER 8 & 9

NW SPEED IN SEPTEMBER!

Site: Bill Riegel Model Airpark, Salem, Oregon. Sponsor: Western Oregon Control Line Flyers. Contest Director: Mike Hazel

SEPTEMBER 15 & 16

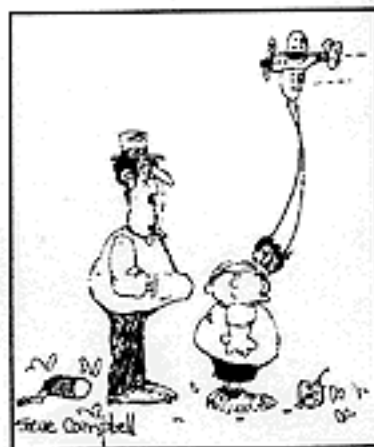
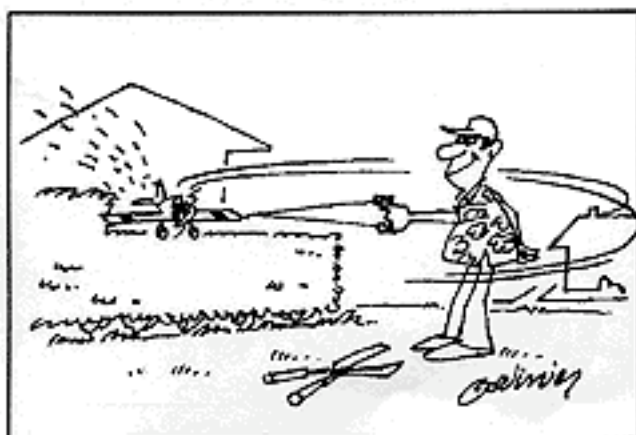
COLUMBIA BASIN FALL CLASSIC

Site: PACC Stadium, Pasco, Washington. Events: Racing and Stunt. Sponsor: Columbia Basin Control Liners. (More info to follow)

OCTOBER 6 & 7

FALL FOLLIES

Site: Bill Riegel Model Airpark, Salem, Oregon. Events for Racing, Stunt and Combat. Sponsor: Western Oregon Control Line Flyers. Contest Director: John Thompson



"That kid, he's got his plane to 'Gosh'!"

WOLF MEMBER CONTACT LIST 2007

Craig Bartlett	Corvallis, Oregon		scraigbart@yahoo.com
Ron Bennett	Monmouth, Oregon	(503) 838-2328	ooffy@aci.com
Don Dotter	Turner, Oregon	(503) 769-5173	dotterd@wvi.com
Jerry Eichten	Newberg, Oregon	(503) 554-0034	jeichten@aol.com
Gary Harris	Banks, Oregon	(503) 324-3450	harrisgaris@comcast.net
Mike Hazel	Melinaia, Oregon	(503) 859-2905	ZZCLspeed@aol.com
Bruce Hunt	Salem, Oregon	(503) 361-7491	bhunt@swbell.net
David LaFever	Corvallis, Oregon	(541) 752-7539	David.LaFever@orst.edu
Don McClave	Portland Oregon	(503) 771-8529	moclave@pdx.edu
Don Myklebust	Salem, Oregon	(503) 390-7118	felinarch@yahoo.com
Will Naemura	Portland, Oregon	(503) 775-2050	will@mcdea-artool.com
Jack Pitcher	Gresham, Oregon	(503) 637-4000	pitchers@teleport.com
Alicia Cotton-Royer	Portland, Oregon	(503) 254-3173	alicot@earthlink.net
Dave Royer	Portland, Oregon	(503) 254-3173	droyer1@earthlink.net
Roc Russell	Salem, Oregon	(503) 390-1022	
Gerald Schamp	Albany, Oregon	(541) 926-1061	geraldschamp@comcast.net
Chuck Schuette	Vancouver, Washington	(360) 689-6188	chasrose@pacifier.com
Dean Singleton	Salem, Oregon	(503) 856-8056	deano43@comcast.net
John Stroup	Sublimity, Oregon	(503) 769-7228	skysport@wvi.com
Leroy Swanson	Albany, Oregon	(541) 928-9343	lswanson64@comcast.net
John Thompson	Eugene, Oregon	(541) 689-5553	JohnT4051@aol.com

